



**GOLD HONEST**



**GOLD HONEST**

**东莞凤岗镇鑫浩五金电子制品厂**

Fenggang Dongguan City XIN HAO Hardware & Electronic Products Factory

**东莞凤岗镇鑫浩五金电子制品厂**

Fenggang Dongguan City XIN HAO Hardware & Electronic Products Factory

地址：东莞市凤岗镇五联管理区凤平大道安佳工业园

Address: Anjia Industrial Zone, Fengping Road, Wulian Villages, Fenggang Town, Dongguan City.

电话 (TEL): 86-769-82137096-0 传真 (FAX): 86-769-82137096-605

网页 (website) : [www.goldhonest.cn](http://www.goldhonest.cn)

<http://dggoldhonest.cn.dlibaba.com>

邮箱 (E-mail) : [goldhonest@yahoo.com.cn](mailto:goldhonest@yahoo.com.cn)

**专业电源滤波器供应商**

PROFESSIONAL SUPPLIER OF POWER SUPPLY FILTER



中国 · 东莞  
DONGGUAN CHINA



## COMPANY PROFILE

## 公司介绍

东莞凤岗鑫浩五金电子制品厂于2007年7月成立于东莞凤岗，位于东莞与深圳交界处，其滤波器事业部成立于2010年5月，同年8月份正式投入生产，并于2011年3月份通过ISO9001:2008认证。公司专长于设计，检测，生产高质量的EMI 滤波器，提供EMI解决方案，OEM电源滤波器，公司生产滤波器现有近110名员工，拥有设计和生产能力。我们专长于为客户提供高质量低费用的方案，生产各种 EMI/EMC/RFI/滤波器。

我们的产品被用在航空领域，家用电器，工业和医疗设备，通讯，屏蔽室,军事设备领域。我们的企业方针是以信誉，效率，质量为准则，以最有效的成本满足并超越客户要求，不仅只是以真诚的伙伴关系提供给客户良好的产品或服务，更仔细聆听客户真正的需求。

- 产品符合多项国际标准（UL/CSA/VDE/VDE/CCC/CE），环保标准和RoHS标准。
- 可以根据客户需求提供与EMI 方案相关的设计，测试及咨询服务。
- 样品实样制作周期及交货期短，专业化完善的客户服务。
- 与客户紧密合作，理解客户需求，达到客户满意。
- 质量型企业，通过ISO 9001: 2008认证。
- 专来的EMC设计团队，丰富的生产经验。
- 经济有效的方案，低成本，价位合理。
- 具备大小批量生产能力。



## COMPANY PROFILE

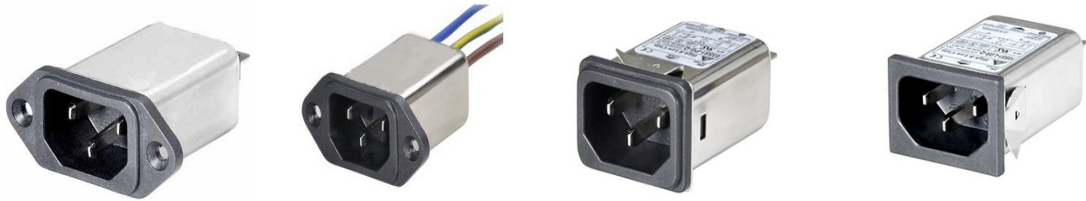
## 公司介绍

Dongguan Goldhonest metal product company established at July 2007 in FenGan town Dongguan city GuangDong province china. In May 2010 we set up EMI filter branch that focus on filter design and manufacturing. In Mar. 2011 we got ISO9001 certificate. We have 110 skillful employees to support our manufacturing and ensure we can supply high quality and competitive price to our customers. We can supply all kinds EMI/EMC/RFI filter as per customers' requirement. Also, OEM is available. Our products widely are applied in home appliances/aviation devices/medical devices and communication devices etc. Our policy is base on reputation/efficiency/quality provide the best price to meet and exceed customers' expectation. Except provide good products and service we will do our best to find customer's more requirement.

- All products meet UL/CSA/VDE/VDE/CCC/CE and RoHS
- Supply design/test and consultation EMI project as per customer's requirement
- Short lead time for sample build and delivery
- Develop new materials and processes to decrease cost and improve to meet customer's requirement
- ISO 9001: 2008 certificate
- Professional EMC design team and skillful operators
- High efficient/low cost EMC project

## General Purpose Inlet Filter

## 通用型插座式滤波器(1.1)



## Feather: 功能

- Compact design 小巧外形
- Low cost 低成本
- Low leakage current 漏电流小
- Power inlet socket 带有输入插座
- Output terminals are QDs or lead wire for quick installation or solder
- 输出使用快速端子或引线方便安装或焊锡
- Current rating from 1A to 10A 电流: 1-10A
- Screw or snap tab mounting for quick installation 使用螺丝或卡座方便安装
- Special design is available 可按客户要求特殊制作

## Technical data: 技术参数

Rated Voltage Max, (V) 最大额定电压值	250VAC
Operating frequency 工作频率	50/60Hz
Rated current 额定电流	1-10A @40°C
Hi-pot (Line to Ground) 耐压	DC1800V
Leakage current @250VAC 漏电流	0.5mA Max

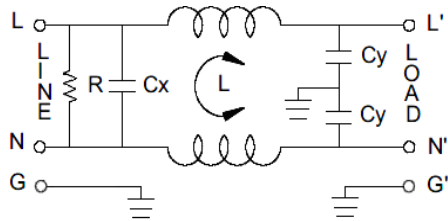
## Part number information: 产品编码原则

- XH-A-XX-XX-X
- 1. XH: XinHao
- 2. A: A series A系列
- 3. XX: Rating current 额定电流
- 4. XX: Mounting 安装方式
- SC: Screw 螺丝 SS: Side snap tab 侧边卡座 ST: Top/bottom snap tab 顶/底部卡座
- 5. X: Output terminal 输出方式
- Q: QDs (6.35mm) 快速端子 S: Solder tabs (4mm) 焊锡端子 W: Lead wire 引线

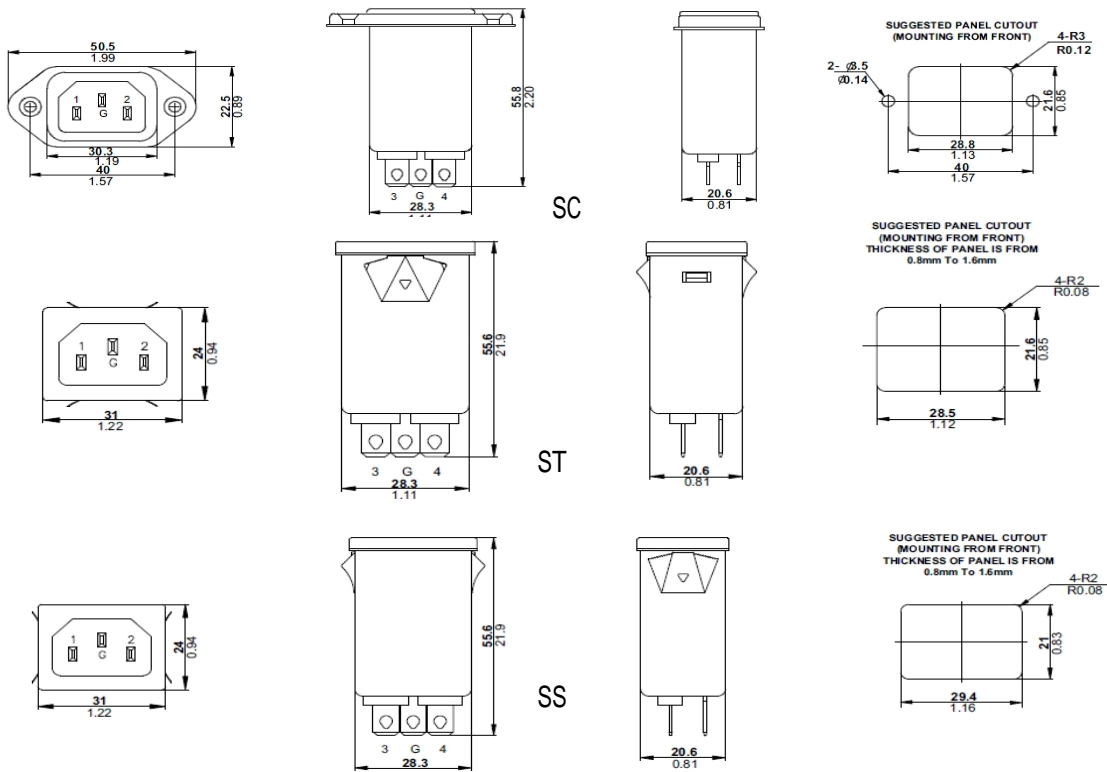
General Purpose Inlet Filter

通用型插座式滤波器(1.2)

Schematic: 原理图



Mechanical: 外形尺寸



If the terminals are lead wire, the specification is defined by customer  
 如果输出端是引线其规格由客户定义



General Purpose Inlet Filter

通用型插座式滤波器(1.3)

Loss table (Measured in 50ohms system): 插入损耗(50欧姆系统)

Series	Rating current	CM(db) in MHz						DM(db) in MHz					
		0.15	0.5	1	5	10	30	0.15	0.5	1	5	10	30
A	1A	30	35	48	55	57	43	8	26	38	72	63	18
	3A	26	34	47	54	58	45	8	20	30	64	63	21
	6A	20	30	37	50	56	48	8	19	24	52	55	28
	8A	2	25	27	29	26	18	8	19	25	59	58	25
	10A	12	20	25	42	65	39	8	19	25	52	48	29

Y capacitors are available up to 3.3nF. Also the current can be 15A Max. with same mounting but the housing will be longer. More details or special requirement please call our sales.

Y电容最大可做到3.3nF。同时电流最大可做到15A但外壳稍长。更多详情或需求咨询我们销售人员。

## General Purpose Inlet Filter

### 通用型插座式滤波器(1.4)



#### Feather: 功能

- Compact design 小巧外形
- Low cost 低成本
- Low leakage current 漏电流小
- Power inlet socket 带有输入插座
- Output terminals are QDs or lead wire for quick installation or solder
- 输出使用快速端子或引线方便安装或焊锡
- Current rating from 1A to 10A 电流: 1-10A
- Screw or snap tab mounting for quick installation 使用螺丝或卡座方便安装
- Special design is available 可按客户要求特殊制作

#### Technical data: 技术参数

Rated Voltage Max, (V) 最大额定电压值	250VAC
Operating frequency 工作频率	50/60Hz
Rated current 额定电流	1-10A @40°C
Hi-pot (Line to Ground) 耐压	DC1800V
Leakage current @250VAC 漏电流	0.5mA Max

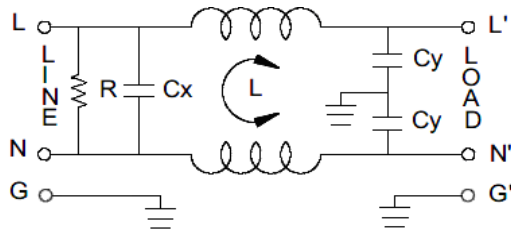
#### Part number information: 产品编码原则

- XH-B-XX-XX-X
- 1. XH: XinHao
- 2. B: B series B系列
- 3. XX: Rating current 额定电流
- 4. XX: Mounting 安装方式
- SC: Screw 螺丝
- 5. X: Output terminal 输出方式
- Q: QDs (6.35mm) 快速端子    S: Solder tab (4mm) 焊锡端子    W: Lead wire 引线

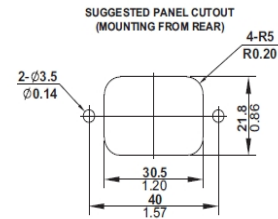
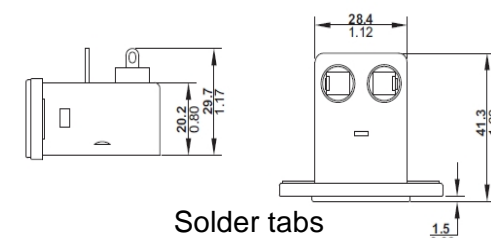
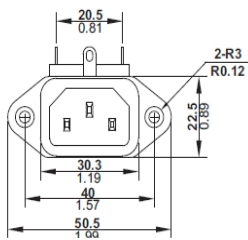
General Purpose Inlet Filter

通用型插座式滤波器(1.5)

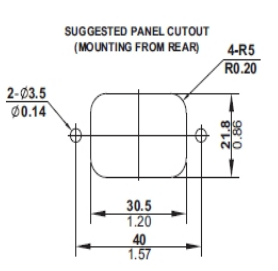
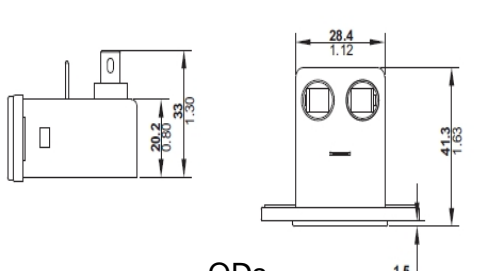
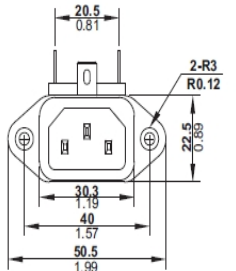
Schematic: 原理图



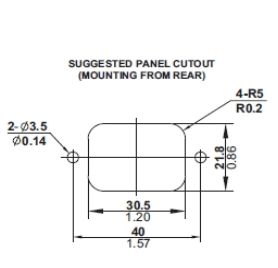
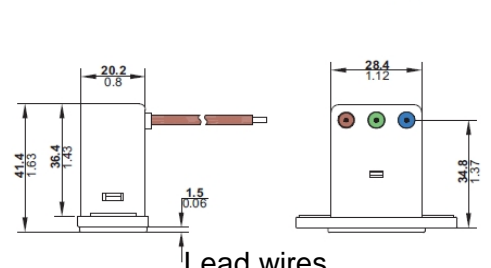
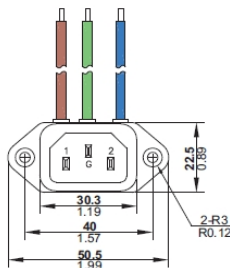
Mechanical: 外形尺寸



Solder tabs



QDs



Lead wires

If the terminals are lead wire, the specification is defined by customer

如果输出端是引线其规格由客户定义





General Purpose Inlet Filter

通用型插座式滤波器(1.6)

Loss table (Measured in 50ohms system): 插入损耗(50欧姆系统)

Series	Rating current	CM(db) in MHz						DM(db) in MHz					
		0.15	0.5	1	5	10	30	0.15	0.5	1	5	10	30
B	1A	35	39	41	33	28	12	8	26	38	72	63	15
	3A	29	38	40	46	41	40	8	20	29	59	67	18
	6A	19	25	29	45	52	48	8	19	27	45	52	34
	8A	21	27	32	45	48	42	8	19	25	66	61	25
	10A	10	15	20	35	43	42	8	19	26	31	40	35

Y capacitors are available up to 3.3nF. Also the current can be 15A Max. with same mounting but the housing will be longer. More details or special requirement please call our sales.

Y电容最大可做到3.3nF。同时电流最大可做到15A但外壳稍长。更多详情或需求咨询我们销售人员。



## General Purpose Inlet Filter

### 通用型插座式滤波器(1.7)



#### Feather: 功能

- Compact design 小巧外形
- Low cost 低成本
- Low leakage current 漏电流小
- Power inlet socket 带有输入插座
- Fuse holder 自带保险管座
- Output terminals are QDs or lead wire for quick installation or solder
- 输出使用快速端子或引线方便安装或焊锡
- Current rating from 1A to 10A 电流: 1-10A
- Screw or snap tab mounting for quick installation 使用螺丝或卡座方便安装
- Special design is available 可按客户要求特殊制作

#### Technical data: 技术参数

Rated Voltage Max, (V) 最大额定电压值	250VAC
Operating frequency 工作频率	50/60Hz
Rated current 额定电流	1-10A @40°C
Hi-pot (Line to Ground) 耐压	DC1800V
Leakage current @250VAC 漏电流	0.5mA Max

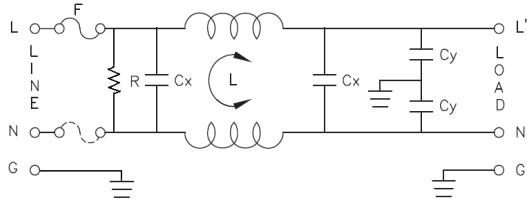
#### Part number information: 产品编码原则

- XH-C-XX-XX-X-X
- 1. XH: XinHao
- 2. C: C series C系列
- 3. XX: Rating current 额定电流
- 4. XX: Mounting 安装方式
- SC: Screw 螺丝 SS: Side snap tab 侧边卡座 ST: Top/bottom snap tab 顶/底部卡座
- 5. X: Fuse holder 保险座
- S: single fuse holder 单保险座 D: Dual fuse holder 双保险座
- 6. X: Output terminal 输出方式
- Q: QDs (6.35mm) 快速端子 S: Solder tab (4mm) 焊锡端子 W: Lead wire 引线
- 7. X: Special code 特别码
- N: Normal house 常规外壳 S: Special housing 特殊外壳

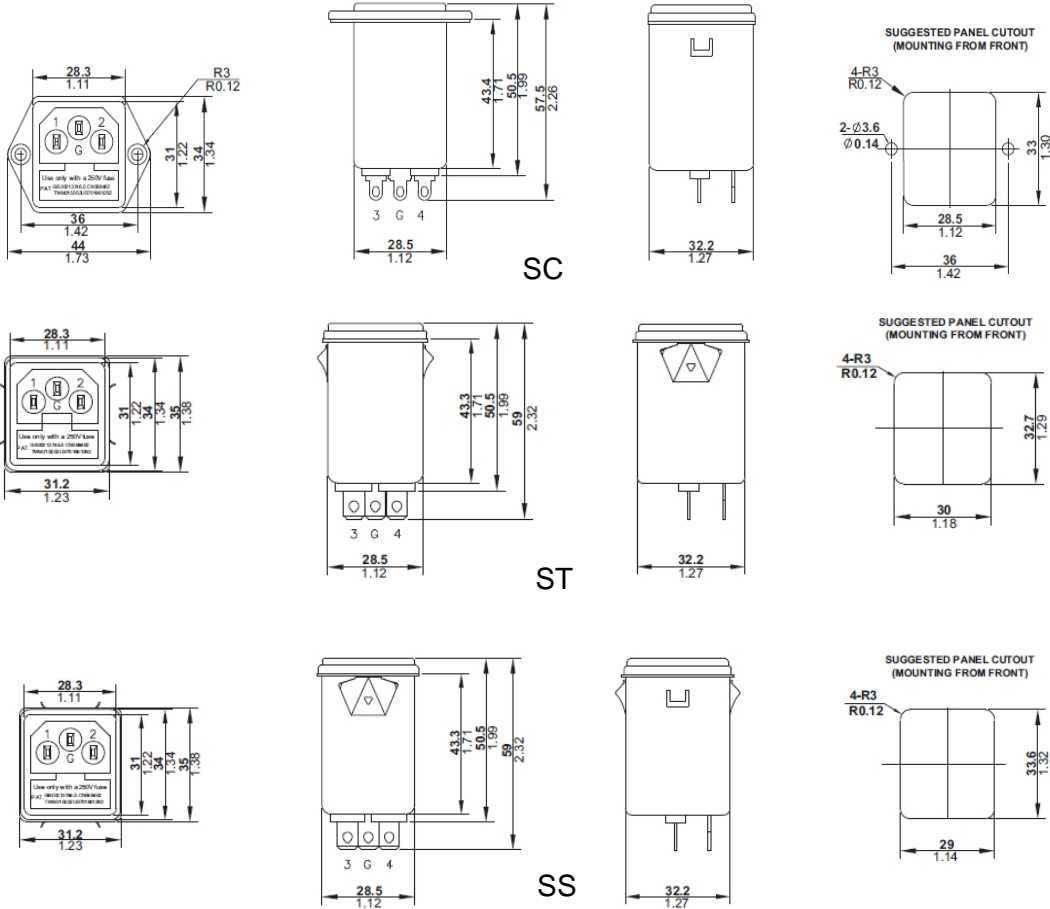
General Purpose Inlet Filter

通用型插座式滤波器(1.8)

Schematic: 原理图



Mechanical: 外形尺寸



If the terminals are lead wire, the specification is defined by customer

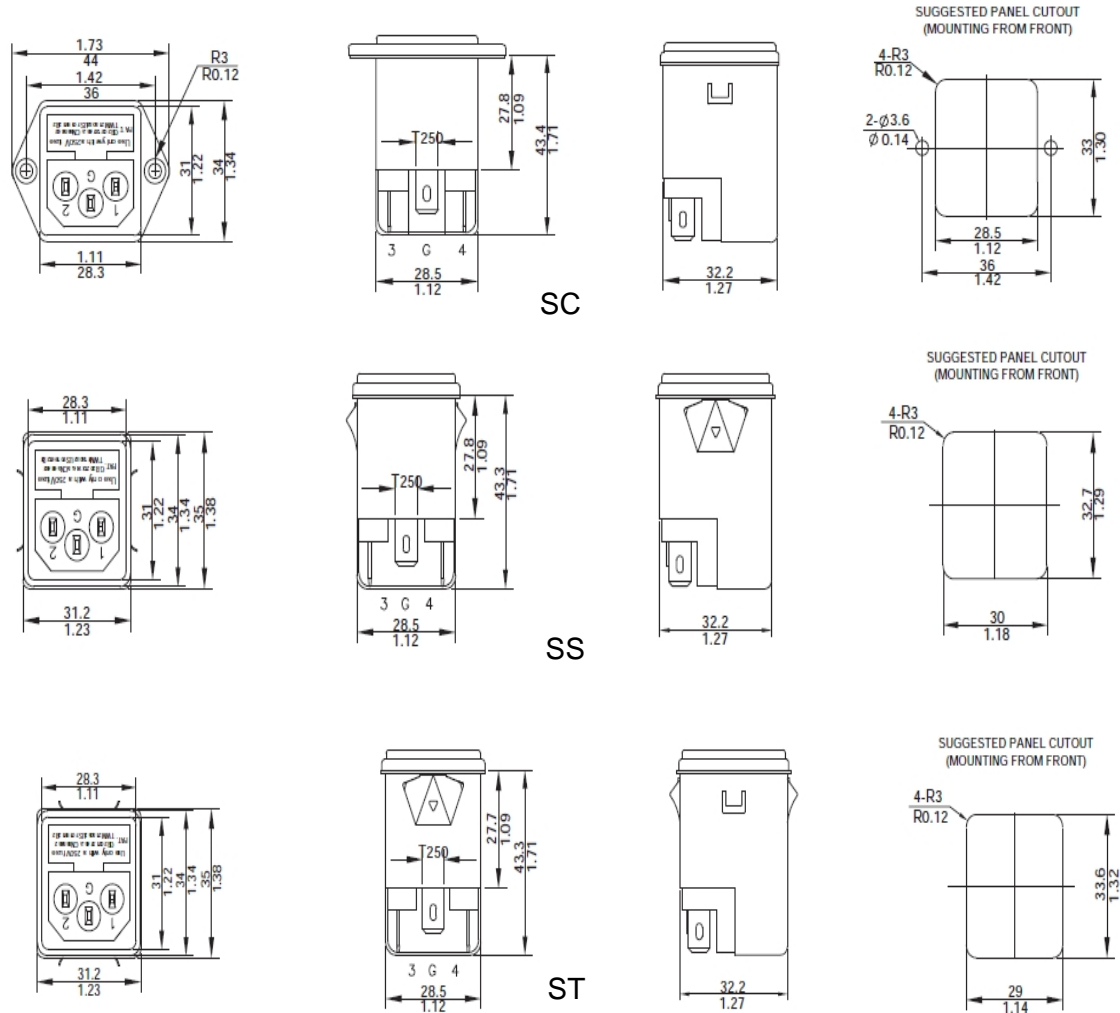
如果输出端是引线其规格由客户定义

General Purpose Inlet Filter

通用型插座式滤波器(1.8.1)

Mechanical: 外形尺寸

Special housing



If the terminals are lead wire, the specification is defined by customer

如果输出端是引线其规格由客户定义



General Purpose Inlet Filter

通用型插座式滤波器(1.9)

Loss table (Measured in 50ohms system): 插入损耗(50欧姆系统)

Series	Rating current	CM(db) in MHz						DM(db) in MHz					
		0.15	0.5	1	5	10	30	0.15	0.5	1	5	10	30
C	1A	35	39	41	33	28	12	8	26	38	72	63	15
	3A	29	38	40	46	41	40	8	20	29	59	67	18
	6A	19	25	29	45	52	48	8	19	27	45	52	34
	8A	21	27	32	45	48	42	8	19	25	66	61	25
	10A	10	15	20	35	43	42	8	19	26	31	40	35

Y capacitors are available up to 3.3nF. Also the current can be 15A Max. with same mounting but the housing will be longer. More details or special requirement please call our sales.

Y电容最大可做到3.3nF。同时电流最大可做到15A但外壳稍长。更多详情或需求咨询我们销售人员。



## General Purpose Power Entry Filter

### 通用型插座式滤波器(2.0)



#### Feather: 功能

- Compact design 小巧外形
- Low cost 低成本
- Low leakage current 漏电流小
- Power inlet socket 带有输入插座
- I/O switch 自带I/O开关
- Output terminals are QDs or lead wire for quick installation or solder
- 输出使用快速端子或引线方便安装或焊锡
- Current rating from 1A to 10A 电流: 1-10A
- Screw or snap tab mounting for quick installation 使用螺丝或卡座方便安装
- Special design is available 可按客户要求特殊制作

#### Technical data: 技术参数

Rated Voltage Max, (V) 最大额定电压值	250VAC
Operating frequency 工作频率	50/60Hz
Rated current 额定电流	1-10A @40°C
Hi-pot (Line to Ground) 耐压	DC1800V
Leakage current @250VAC 漏电流	0.5mA Max

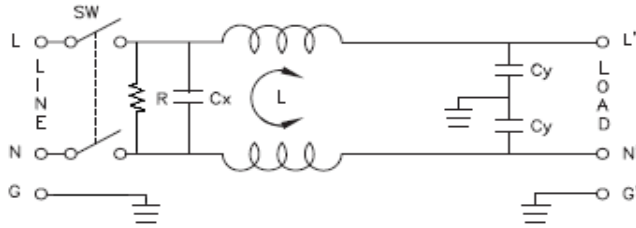
#### Part number information: 产品编码原则

- XH-D-XX-XX-X-X
- 1. XH: XinHao
- 2. D: D series D系列
- 3. XX: Rating current 额定电流
- 4. XX: Mounting 安装方式
- SC: Screw 螺丝    SS: Side snap tab 侧边卡座    ST: Top/bottom snap tab 顶/底部卡座
- 5. X: Switch type 开关型号
- S: No indicator 无指示灯    R: W/ red indicator 红色指示灯    G: W/ green indicator 绿色指示灯
- 6. X: Output terminal 输出方式
- Q: QDs (6.35mm) 快速端子    S: Solder tab (4mm) 焊锡端子    W: Lead wire 引线

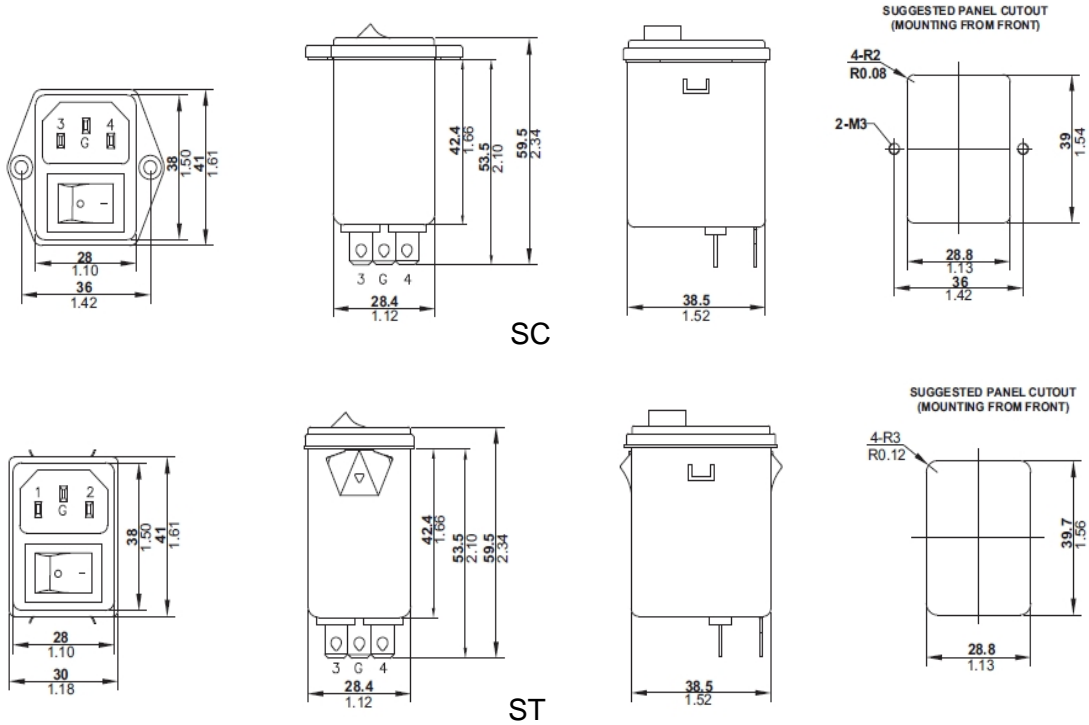
General Purpose Power Entry Filter

通用型插座式滤波器(2.1)

Schematic: 原理图



Mechanical: 外形尺寸



If the terminals are lead wire, the specification is defined by customer  
 如果输出端是引线其规格由客户定义



General Purpose Power Entry Filter

通用型插座式滤波器(2.2)

Loss table (Measured in 50ohms system): 插入损耗(50欧姆系统)

Series	Rating current	CM(db) in MHz						DM(db) in MHz					
		0.15	0.5	1	5	10	30	0.15	0.5	1	5	10	30
D	1A	35	39	41	33	28	12	8	26	38	72	63	15
	3A	29	38	40	46	41	40	8	20	29	59	67	18
	6A	19	25	29	45	52	48	8	19	27	45	52	34
	8A	21	27	32	45	48	42	8	19	25	66	61	25
	10A	10	15	20	35	43	42	8	19	26	31	40	35

Y capacitors are available up to 3.3nF. Also the current can be 15A Max. with same mounting but the housing will be longer. More details or special requirement please call our sales.

Y电容最大可做到3.3nF. 同时电流最大可做到15A但外壳稍长. 更多详情或需求咨询我们销售人员.





## General Purpose Power Entry Filter

### 通用型插座式滤波器(3.0)



#### Feature: 功能

- Compact design 小巧外形
- Low cost 低成本
- Low leakage current 漏电流小
- Power inlet socket 带有输入插座
- Fuse holder I/O switch 自带保险丝座和I/O开关
- Output terminals are QDs or lead wire for quick installation or solder
- 输出使用快速端子或引线方便安装或焊锡
- Current rating from 1A to 10A 电流: 1-10A
- Screw or snap tab mounting for quick installation 使用螺丝或卡座方便安装
- Special design is available 可按客户要求特殊制作

#### Technical data: 技术参数

Rated Voltage Max, (V) 最大额定电压值	250VAC
Operating frequency 工作频率	50/60Hz
Rated current 额定电流	1-10A @40°C
Hi-pot (Line to Ground) 耐压	DC1800V
Leakage current @250VAC 漏电流	0.5mA Max

#### Part number information: 产品编码原则

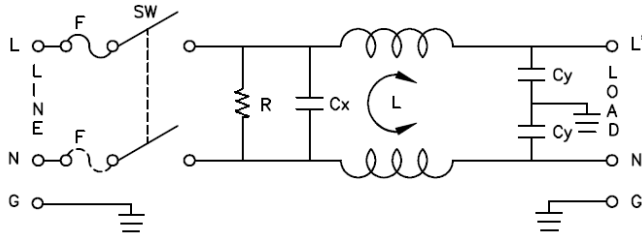
- XH-E-XX-XX-X-X-X
- 1. XH: XinHao
- 2. E: E series E系列
- 3. XX: Rating current 额定电流
- 4. XX: Mounting 安装方式
- SC: Screw 螺丝    SS: Side snap tab 侧边卡座    ST: Top/bottom snap tab 顶/底部卡座
- 5. X: Switch type 开关型号
- S: No indicator 无指示灯    R: W/ red indicator 红色指示灯    G: W/ green indicator 绿色指示灯
- 6. X: Fuse holder 保险座
- S: single fuse holder单保险座    D: Dual fuse holder双保险座
- 7. X: Output terminal输出方式
- Q: QDs (6.35mm) 快速端子    S: Solder tab (4mm) 焊锡端子    W: Lead wire 引线



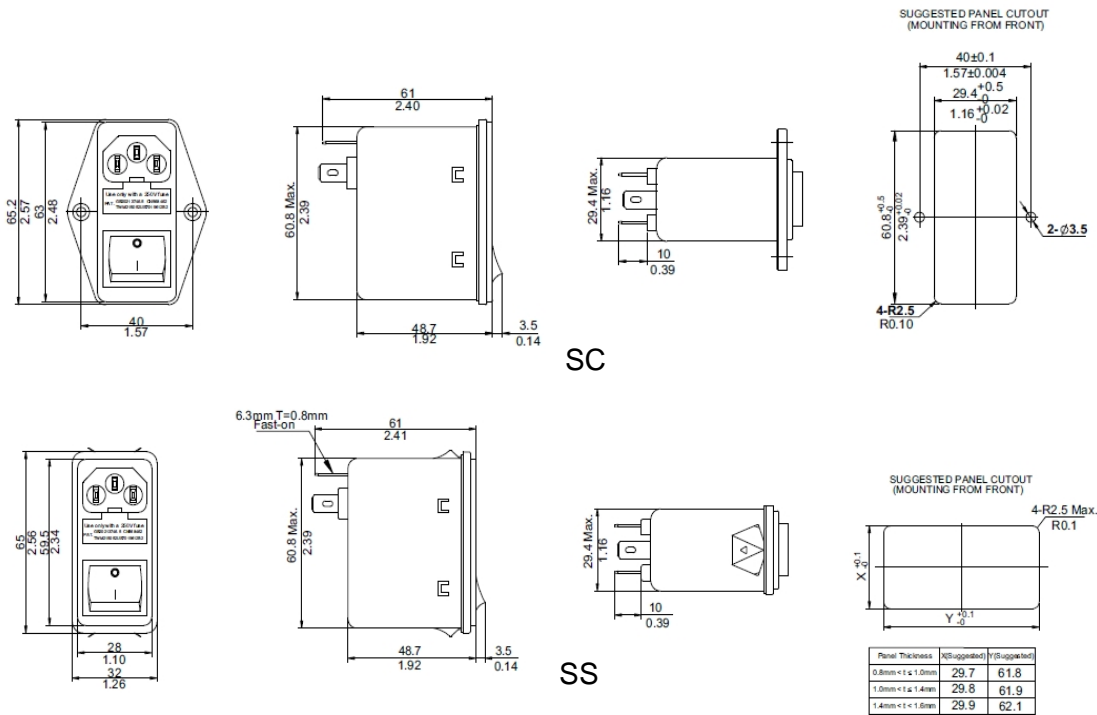
General Purpose Power Entry Filter

通用型插座式滤波器(3.1)

Schematic: 原理图



Mechanical: 外形尺寸



If the terminals are lead wire, the specification is defined by customer  
 如果输出端是引线其规格由客户定义



General Purpose Power Entry Filter

通用型插座式滤波器(3.2)

Loss table (Measured in 50ohms system): 插入损耗(50欧姆系统)

Series	Rating current	CM(db) in MHz						DM(db) in MHz					
		0.15	0.5	1	5	10	30	0.15	0.5	1	5	10	30
E	1A	35	39	41	33	28	12	8	26	38	72	63	15
	3A	29	38	40	46	41	40	8	20	29	59	67	18
	6A	19	25	29	45	52	48	8	19	27	45	52	34
	8A	21	27	32	45	48	42	8	19	25	66	61	25
	10A	10	15	20	35	43	42	8	19	26	31	40	35

Y capacitors are available up to 3.3nF. Also the current can be 15A Max. with same mounting but the housing will be longer. More details or special requirement please call our sales.

Y电容最大可做到3.3nF. 同时电流最大可做到15A但外壳稍长. 更多详情或需求咨询我们销售人员.

## General Purpose Single Phase Filter

### 通用型单相滤波器(4.0)



#### Feature: 功能

- Compact design 小巧外形
- Low cost 低成本
- Low leakage current 漏电流小
- Output terminals are QDs or lead wire for quick installation or solder
- 输出使用快速端子或引线方便安装或焊锡
- Current rating from 1A to 10A 电流: 1-10A
- Special design is available 可按客户要求特殊制作

#### Technical data: 技术参数

Rated Voltage Max, (V) 最大额定电压值	250VAC
Operating frequency 工作频率	50/60Hz
Rated current 额定电流	1-10A @40°C
Hi-pot (Line to Ground) 耐压	DC1800V
Leakage current 漏电流	5mA Max

#### Part number information: 产品编码原则

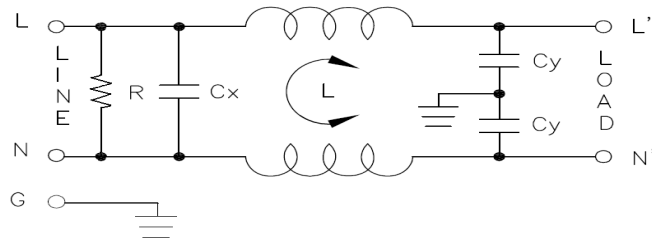
- XH-F-XX-X
- 1. XH: XinHao
- 2. F: F series F系列
- 3. XX: Rating current 额定电流
- 4. X: Output terminal 输出方式
- Q: QDs (6.35mm) 快速端子      W: Lead wire 引线



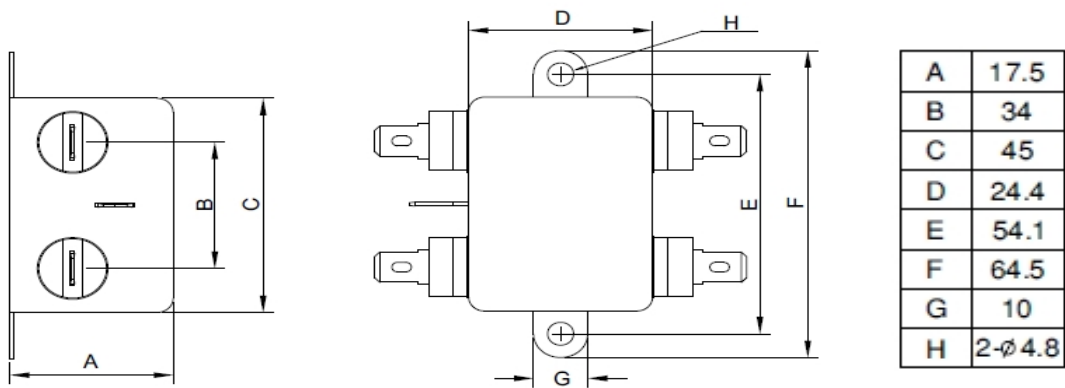
General Purpose Single Phase Filter

通用型单相滤波器(4.1)

Schematic: 原理图



Mechanical: 外形尺寸



If the terminals are lead wire, the specification is defined by customer  
 如果输出端是引线其规格由客户定义

Loss table (Measured in 50ohms system): 插入损耗(50欧姆系统)

Series	Rating current	CM(db) in MHz						DM(db) in MHz					
		0.15	0.5	1	5	10	30	0.15	0.5	1	5	10	30
F	1A	41	30	43	48	50	40	3	20	33	65	63	25
	3A	22	30	33	45	52	46	2	10	16	45	55	30
	6A	20	25	30	46	52	50	2	9	16	47	62	33
	8A	16	27	26	44	48	42	2	9	17	41	61	30
	10A	12	19	23	39	45	39	2	10	16	36	61	29

The current can be 20A Max. but the housing will be bigger. More details or special requirement please call our sales.

电流最大可做到20A但外壳稍长. 更多详情或需求咨询我们销售人员.

## General Purpose Single Phase Filter

## 通用型单相滤波器(4.0)



## Feature: 功能

- Compact design 小巧外形
- Low cost 低成本
- Low leakage current 漏电流小
- Output terminals are QDs or lead wire for quick installation or solder
- 输出使用快速端子或引线方便安装或焊锡
- Current rating from 10A to25A 电流: 10-25A
- Special design is available 可按客户要求特殊制作

## Technical data: 技术参数

Rated Voltage Max, (V) 最大额定电压值	250VAC
Operating frequency 工作频率	50/60Hz
Rated current 额定电流	10-25A @40°C
Hi-pot (Line to Ground) 耐压	DC2500V
Leakage current	5mA Max

## Part number information: 产品编码原则

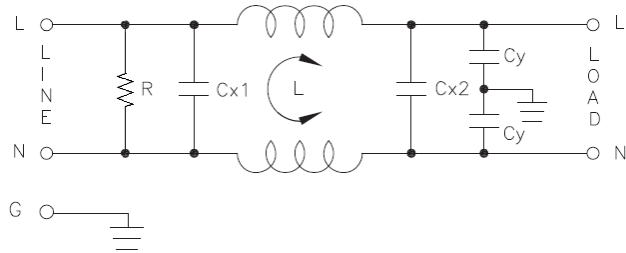
- XH-G-XX-X
- 1. XH: XinHao
- 2. G: G series G系列
- 3. XX: Rating current 额定电流
- 4. X: Output terminal 输出方式
- Q: QDs (6.35mm) 快速端子      W: Lead wire 引线



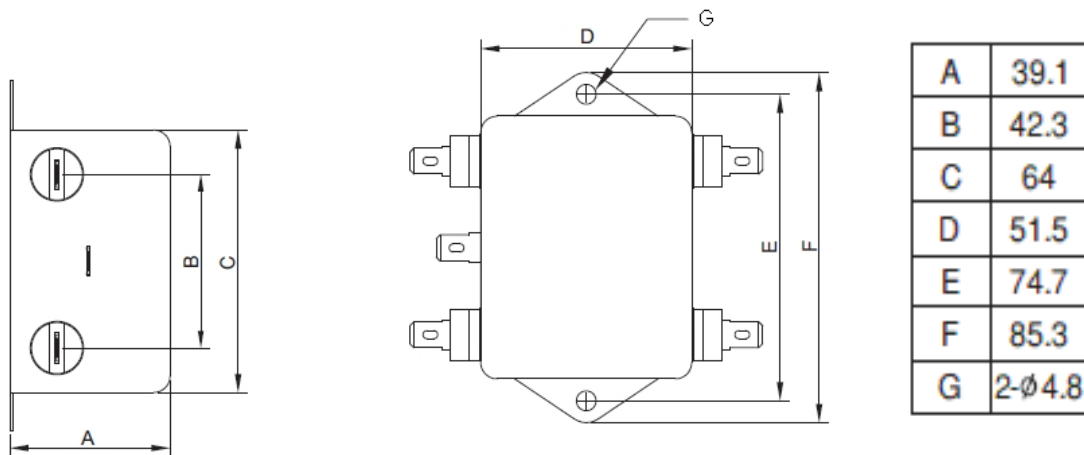
General Purpose Single Phase Filter

通用型单相滤波器(5.1)

Schematic: 原理图



Mechanical: 外形尺寸



If the terminals are lead wire, the specification is defined by customer  
 如果输出端是引线其规格由客户定义

Loss table (Measured in 50ohms system): 插入损耗(50欧姆系统)

Series	Rating current	CM(db) in MHz						DM(db) in MHz					
		0.15	0.5	1	5	10	30	0.15	0.5	1	5	10	30
G	10A	18	22	32	45	55	45	10	21	32	65	60	34
	20A	21	26	32	47	55	46	10	20	27	62	61	31
	25A	17	22	29	33	54	42	10	20	26	58	56	32

More details or special requirement please call our sales  
 更多详情或需求咨询我们销售人员



## General Purpose Single Phase Filter

### 通用型单相滤波器(6.0)



#### Feature: 功能

- Compact design 小巧外形
- Low cost 低成本
- Low leakage current 漏电流小
- Output terminals are QDs or lead wire for quick installation or solder
- 输出使用快速端子或引线方便安装或焊锡
- Current rating from 5A to 25A 电流: 5-25A
- Special design is available 可按客户要求特殊制作

#### Technical data: 技术参数

Rated Voltage Max, (V) 最大额定电压值	250VAC
Operating frequency 工作频率	50/60Hz
Rated current 额定电流	5-25A @40°C
Hi-pot (Line to Ground) 耐压	DC2500V
Leakage current 漏电流	5mA Max

#### Part number information: 产品编码原则

- XH-H-XX-X
- 1. XH: XinHao
- 2.H: H series H系列
- 3. XX: Rating current 额定电流
- 4. X: Output terminal输出方式
- Q: QDs (6.35mm) 快速端子      W: Lead wire 引线



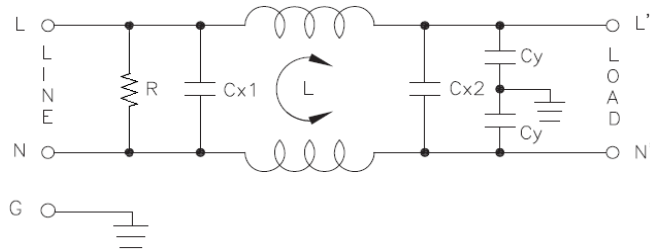
fd



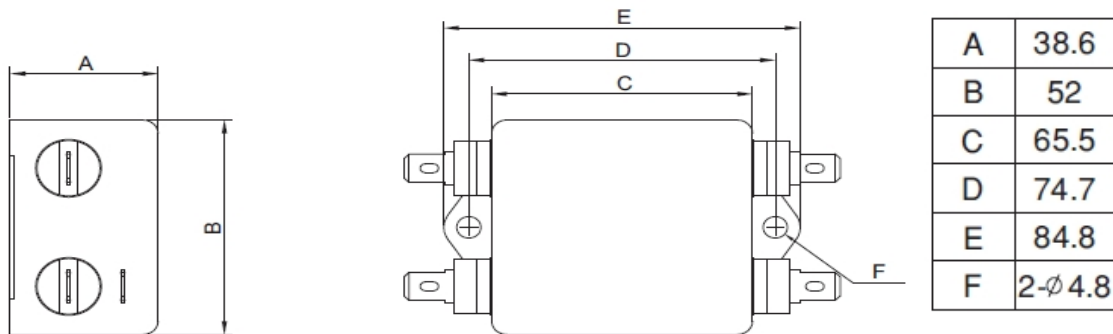
## General Purpose Single Phase Filter

### 通用型单相滤波器(6.1)

#### Schematic: 原理图



#### Mechanical: 外形尺寸



If the terminals are lead wire, the specification is defined by customer  
 如果输出端是引线其规格由客户定义

#### Loss table (Measured in 50ohms system): 插入损耗(50欧姆系统)

Series	Rating current	CM(db) in MHz						DM(db) in MHz					
		0.15	0.5	1	5	10	30	0.15	0.5	1	5	10	30
H	5A	32	40	45	55	55	52	31	66	85	77	58	18
	10A	28	35	40	54	56	51	25	62	82	72	59	22
	15A	25	31	35	47	45	35	19	59	80	73	59	26
	20A	18	25	31	46	55	42	15	48	71	64	54	29
	25A	17	24	29	45	53	41	14	47	70	63	52	29

More details or special requirement please call our sales  
 更多详情或需求咨询我们销售人员

## General Purpose Single Phase Filter

## 通用型单相滤波器(7.0)



## Feather: 功能

- Compact design 小巧外形
- Low cost 低成本
- Low leakage current 漏电流小
- Power inlet socket 带有输入插座
- Output terminals are QDs or lead wire for quick installation or solder
- 输出使用快速端子或引线方便安装或焊锡
- Current rating from 3A to 15A 电流: 3-15A
- Special design is available 可按客户要求特殊制作

## Technical data: 技术参数

Rated Voltage Max, (V) 最大额定电压值	250VAC
Operating frequency 工作频率	50/60Hz
Rated current 额定电流	3-15A @40°C
Hi-pot (Line to Ground) 耐压	DC2500V
Leakage current @250VAC 漏电流	0.5mA Max

## Part number information: 产品编码原则

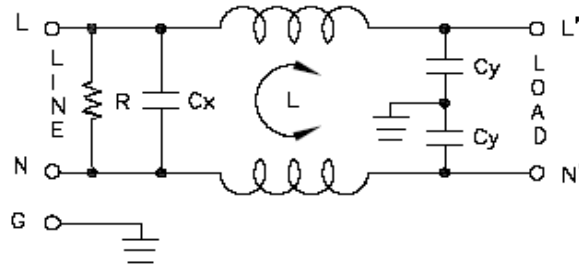
- XH-I-XX-XX-X
- 1. XH: XinHao
- 2. I: I series I系列
- 3. XX: Rating current 额定电流
- 4. X: Output terminal输出方式
- Q: QDs (6.35mm) 快速端子      W: Lead wire 引线



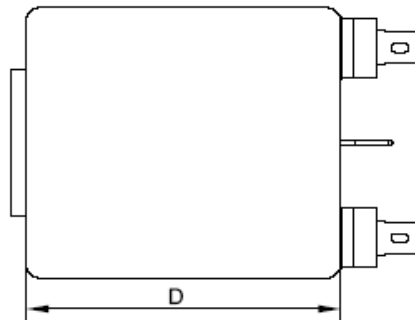
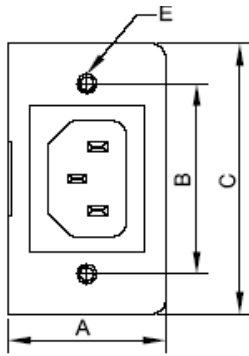
General Purpose Single Phase Filter

通用型单相滤波器(7.1)

Schematic: 原理图



Mechanical: 外形尺寸



A	32.8
B	40
C	56.9
D	65.5
E	2*6#32

If the terminals are lead wire, the specification is defined by customer  
 如果输出端是引线其规格由客户定义

Loss table (Measured in 50ohms system): 插入损耗(50欧姆系统)

Series	Rating current	CM(db) in MHz						DM(db) in MHz					
		0.15	0.5	1	5	10	30	0.15	0.5	1	5	10	30
I	3A	39	52	41	45	45	45	4	23	35	63	61	36
	5A	38	46	50	45	46	38	4	22	34	62	60	39
	8A	29	32	56	48	48	46	3	19	29	57	55	35
	10A	26	31	36	49	52	46	3	12	19	62	64	25
	15A	22	30	32	45	49	46	3	9	16	61	59	27

More details or special requirement please call our sales  
 更多详情或需求咨询我们销售人员

## General Purpose Single Phase Filter

### 通用型单相滤波器(8.0)



#### Feather: 功能

- Compact design 小巧外形
- Low cost 低成本
- Low leakage current 漏电流小
- Output terminals are QDs or lead wire for quick installation or solder
- 输出使用快速端子或引线方便安装或焊锡
- Current rating from 10A to 20A 电流: 10-20A
- Special design is available 可按客户要求特殊制作

#### Technical data: 技术参数

Rated Voltage Max, (V) 最大额定电压值	250VAC
Operating frequency 工作频率	50/60Hz
Rated current 额定电流	10-20A @40°C
Hi-pot (Line to Ground) 耐压	DC2500V
Leakage current @250VAC 漏电流	5mA Max

#### Part number information: 产品编码原则

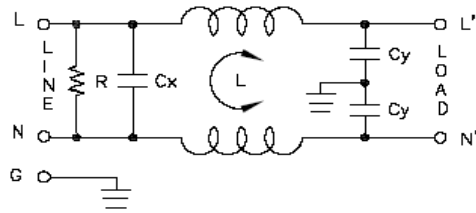
- XH-J-XX-XX-X
- 1. XH: XinHao
- 2. J: J series J系列
- 3. XX: Rating current 额定电流
- 4. X: Output terminal输出方式
- Q: QDs (6.35mm) 快速端子      B: Bolt 螺钉      W: Lead wire 引线



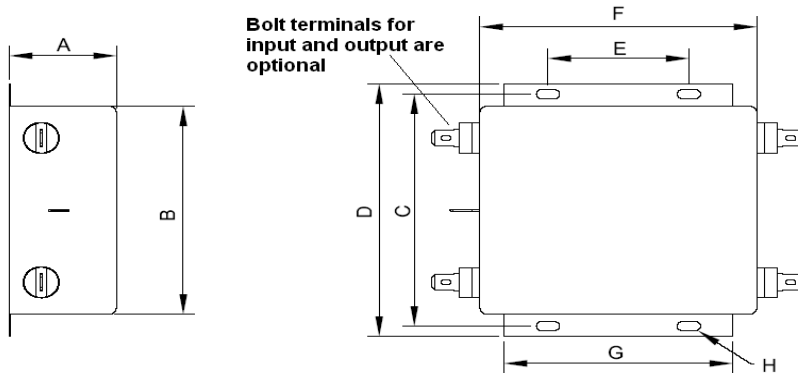
General Purpose Single Phase Filter

通用型单相滤波器(8.1)

Schematic: 原理图



Mechanical: 外形尺寸



A	38.6
B	86.4
C	95.3
D	105
E	50.9
F	100
G	82.5
H	4-φ4x6.5

If the terminals are lead wire, the specification is defined by customer  
 如果输出端是引线其规格由客户定义

Loss table (Measured in 50ohms system): 插入损耗(50欧姆系)

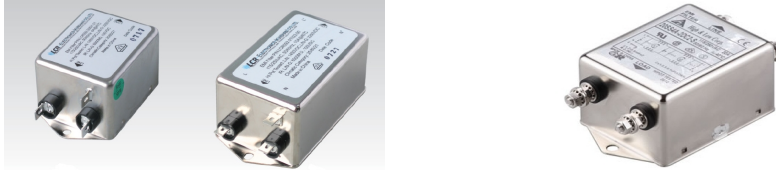
Series	Rating current	CM(db) in MHz						DM(db) in MHz					
		0.15	0.5	1	5	10	30	0.15	0.5	1	5	10	30
J	10A	28	32	56	48	50	54	3	15	24	65	63	17
	15A	28	32	53	47	53	50	3	13	33	75	60	23
	20A	24	29	41	45	50	48	3	11	20	62	65	25

More details or special requirement please call our sales  
 更多详情或需求咨询我们销售人员.



## High Performance Single Phase Filter

### 高性能单相滤波器(9.0)



#### Feather: 功能

- Compact design 小巧外形
- Low cost 低成本
- Low leakage current 漏电流小
- Dual stages filter to get excellent performance 双级滤波达到更好性能
- Output terminals are QDs or lead wire for quick installation or solder
- 输出使用快速端子或引线方便安装或焊锡
- Current rating from 4A to 20A 电流: 4-20A
- Special design is available 可按客户要求特殊制作

#### Technical data: 技术参数

Rated Voltage Max, (V) 最大额定电压值	250VAC
Operating frequency 工作频率	50/60Hz
Rated current 额定电流	4-20A @40°C
Hi-pot (Line to Ground) 耐压	DC3000V
Leakage current @250VAC 漏电流	5mA Max

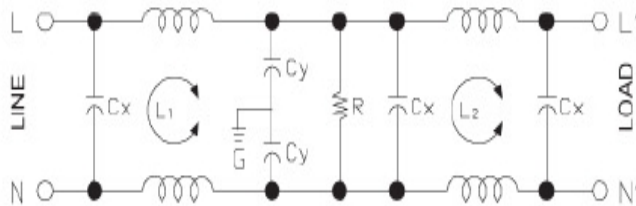
#### Part number information: 产品编码原则

- XH-H-XX-X
- 1. XH: XinHao
- 2. K: K series K系列
- 3. XX: Rating current 额定电流
- 4. X: Output terminal输出方式
- Q: QDs (6.35mm) 快速端子      B: Bolt 螺钉      W: Lead wire 引线

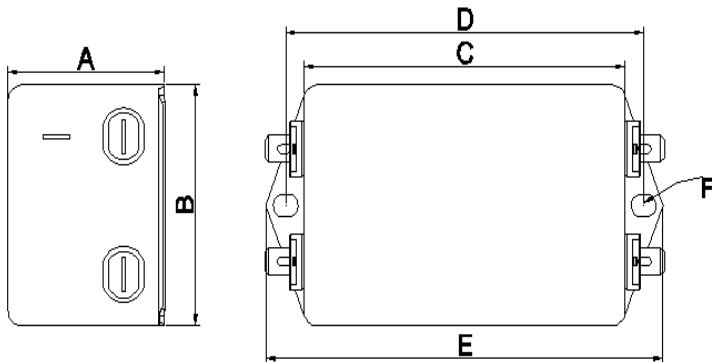
## High Performance Single Phase Filter

### 高性能单相滤波器(9.1)

#### Schematic: 原理图



#### Mechanical: 外形尺寸



	4-6A	8-20A
A	38.6	41
B	52	58
C	65.5	92.5
D	75	105
E	85	115
F	2X 5.1*7.1	2X 5.1*7.1

If the terminals are lead wire, the specification is defined by customer  
如果输出端是引线其规格由客户定义

#### Loss table (Measured in 50ohms system): 插入损耗(50欧姆系)

Series	Rating current	CM(db) in MHz						DM(db) in MHz					
		0.15	0.5	1	5	10	30	0.15	0.5	1	5	10	30
K	4A	36	61	77	79	82	77	63	75	72	73	66	62
	6A	65	75	72	77	67	54	75	86	74	77	77	79
	8A	67	78	70	55	47	46	49	85	76	70	66	56
	10A	38	62	78	77	79	68	58	73	66	71	66	43
	16A	33	44	39	47	46	26	37	43	51	61	44	52
	20A	52	68	70	73	74	53	30	56	67	49	45	36

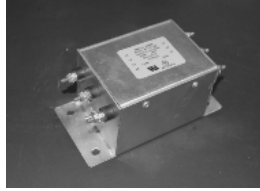
More details or special requirement please call our sales  
更多详情或需求咨询我们销售人员.





## Three Phase Filter

### 三相滤波器(10)



#### Feature: 功能

- Compact design 小巧外形
- Low cost 低成本
- Low leakage current 漏电流小
- High current rating 高工作电流
- Input and output terminals are bolt for big current 输入和输出端使用螺丝连接
- Current rating from 10A to 30A 电流: 20-60A
- Special design is available 可按客户要求特殊制作

#### Technical data: 技术参数

Rated Voltage Max, (V) 最大额定电压值	380VAC
Operating frequency 工作频率	0-60Hz
Rated current 额定电流	20-60A @40°C
Hi-pot (Line to Ground) 耐压	DC3500V
Leakage current	5mA Max

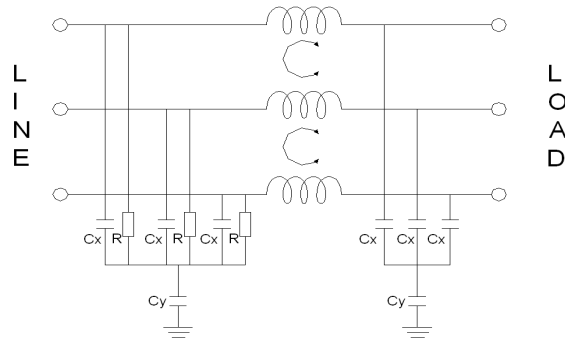
#### Part number information: 产品编码原则

- XH-H-XX-X
- 1. XH: XinHao
- 2.2.L: L series L系列
- 3. XX: Rating current 额定电流
- 4. X: Output terminal输出方式
- Q: QDs (6.35mm) 快速端子      B: Bolt 螺钉      W: Lead wire 引线

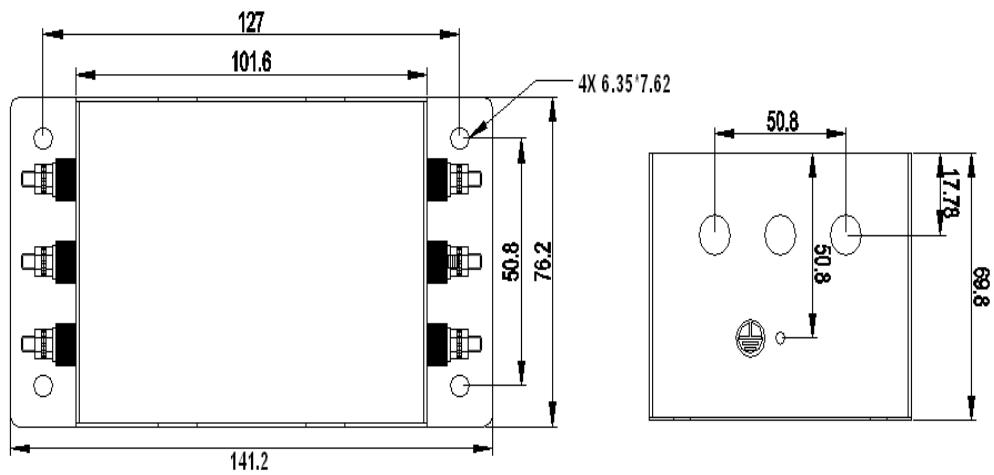
Three Phase Filter

三相滤波器(10.1)

Schematic: 原理图



Mechanical: 外形尺寸



Loss table (Measured in 50ohms system): 插入损耗(50欧姆系)

Series	Rating current	CM(db) in MHz						DM(db) in MHz					
		0.15	0.5	1	5	10	30	0.15	0.5	1	5	10	30
K	20A	47	57	58	56	55	43	49	72	73	74	73	63
	40A	39	51	53	52	52	43	43	68	73	71	69	64
	60A	38	51	53	54	53	45	39	62	64	63	65	58

More details or special requirement please call our sales

更多详情或需求咨询我们销售人员.